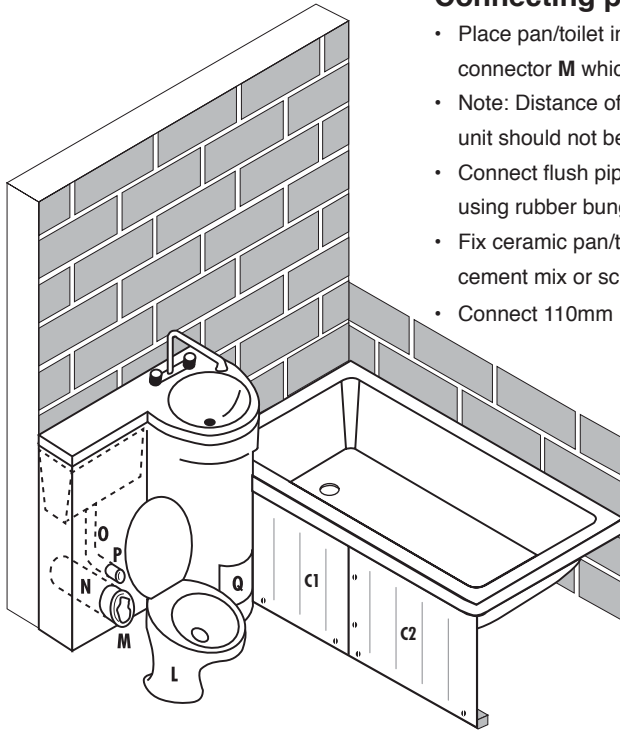


Step 4



Connecting pan/toilet

- Place pan/toilet in position and connect to pan connector **M** which is affixed to 110mm PVC pipe **N**
- Note: Distance of pan/toilet base from the GEZA unit should not be less than 115mm
- Connect flush pipe **O** from cistern to pan/toilet **L** using rubber bung **P**
- Fix ceramic pan/toilet to floor by means of sand/ cement mix or screws if floor is wooden.
- Connect 110mm PVC waste pipe **N** to sewer line

Note: All plumbing connections must comply with local by-laws. If you are not familiar with these by-laws, please consult a qualified plumber.

Step 5

Geyser electrical connection

- Remove inspection cover **Q**
- Connect power block to electrical power supply (see note below)
- Ensure geyser is earthed and copper hot and cold water pipes bonded/earthed
- Do not switch on electrical power before geyser is filled with water

Note: Electrical connection to be done by qualified electrician only

Step 6

Finishing

- Apply high quality silicone to areas around GEZA unit and bath where necessary

GEZA
BATHROOM AND KITCHEN SOLUTIONS

Installation Manual

*No chasing of walls
No on-site storage
Easy maintenance
Minimal on site installation
Installation cost saving*

**Hot Water
Geyser
inside**

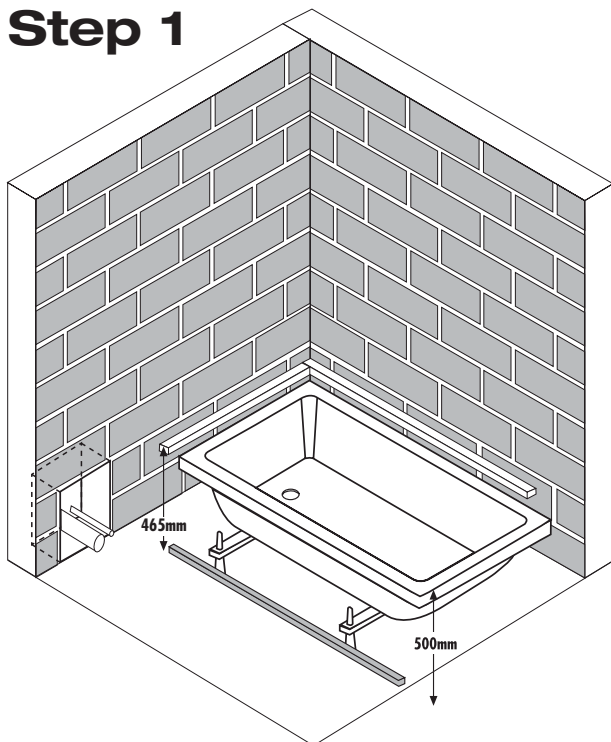


RSA Regd, Design No. F2001/0292 & A2001/0293 SA Patent No. 2000/4231

Tel: +27 (0) 11 622 2004
Fax: +27 (0) 11 622 2372
Cell: +27 (0) 74 422 9511, +27 (0) 82 416 3230
E-mail: geza@icon.co.za
Website: www.geza.co.za
PO Box 15988, Doornfontein 2028, South Africa

A product of Modular Plumbing Units cc

Step 1



Bath preparation

- Fix handles to bath (if applicable)
- Fix legs to underside of bath. The edge of the legs (on the bath panel side) must be set 30mm in from the edge of the bath.
- Adjust all four legs so that the top of the bath is level and fixed at a height of 500mm above floor level.
- Fix trap to waste. Fix 50mm PVC pipe E1 to trap. Tighten clamps.

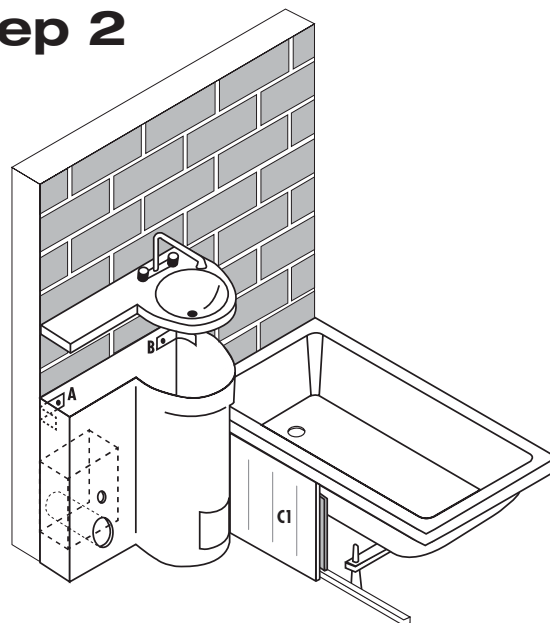
Fitting Bath

- Fix wooden bath battens to wall with wall plugs and screws (see diagram above). The top of the battens must be level and set at 465mm above the floor.
- Rest bath on battens and push hard up against wall (waste end)
- Ensure bath is level by adjusting legs

Fitting GEZA unit in place

- Place GEZA unit (wash hand basin side) tight up against bath
- Ensure that the access holes in the wall line up with the cold water inlet pipe and waste outlet pipes situated in the back of the GEZA unit

Step 2



- Connect bath trap **D** to 50mm PVC waste pipe **E** protruding from GEZA unit and screw clamp tight.

Note: If preferred, the bath trap can be discharged separately through the wall to the outside gully or waste stack

- Lift or remove the top (hand basin section) of the GEZA unit and mark the wall for drilling points **A**, **B**. Drill holes in wall, insert wall plugs and screw brackets to wall

Note: The top can be removed by unscrewing the mixer tap flexi-connectors from the copper pipe and also unscrewing the 50mm rubber elbow from the basin waste fitting

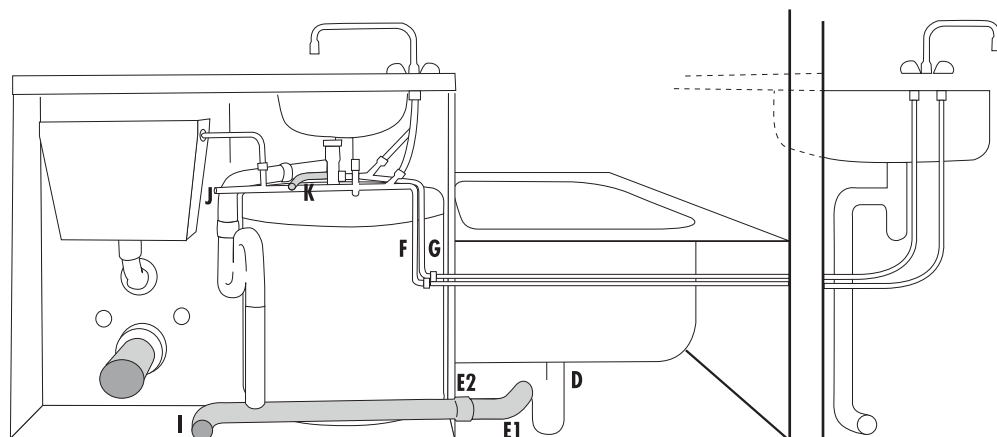
Fixing Bath side panel

- Fix a wooden bath batten to the floor with plugs and screws. Ensure this batten is positioned so that the bath side panel is vertical when pushed firm up against this batten.
- Slip side panel **C1** under bath lip and push bottom firm up against floor batten.
- Slip 2nd side panel **C2** under bath lip against 1st panel **C1**.
- Screw both side panels into floor batten
- If the end of the bath is flush against a wall then fix a vertical wooden batten to the wall and screw the 2nd bath panel into this batten.

Step 3

Connecting Pipes

- Connect 50mm PVC waste pipe **I** to exterior gully or waste stack
- Connect main cold water supply to 15mm copper inlet **J**
- 22mm copper geyser overflow pipe **K** must be extended so that it can discharge as per local by-laws
- If applicable, connect kitchen sink unit to GEZA unit hot and cold water supply pipes **F** and **G**
- Replace the top and reconnect flexi-connectors (do not over tighten)
- Reconnect 50mm rubber elbow to sink waste fitting



- Note: All plumbing and electrical connections must comply with local by-laws.